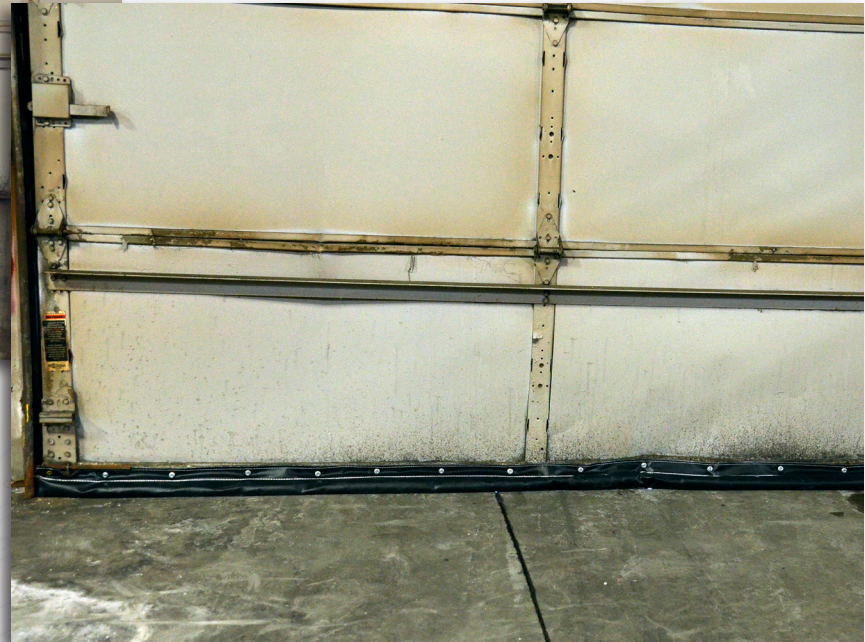


Door Strip Energy Saving Solutions



Before



After

FEATURES

- Customized to fit any style or size overhead door
- Mounts quickly and easily to overhead door
- Professional install is not required
- Made of Dynalon high performance material filled with foam
- Reduces energy costs
- Reduced air infiltration
- Added protection from bugs and rodents
- Designed to close of the gaps between the overhead door and the finished floor

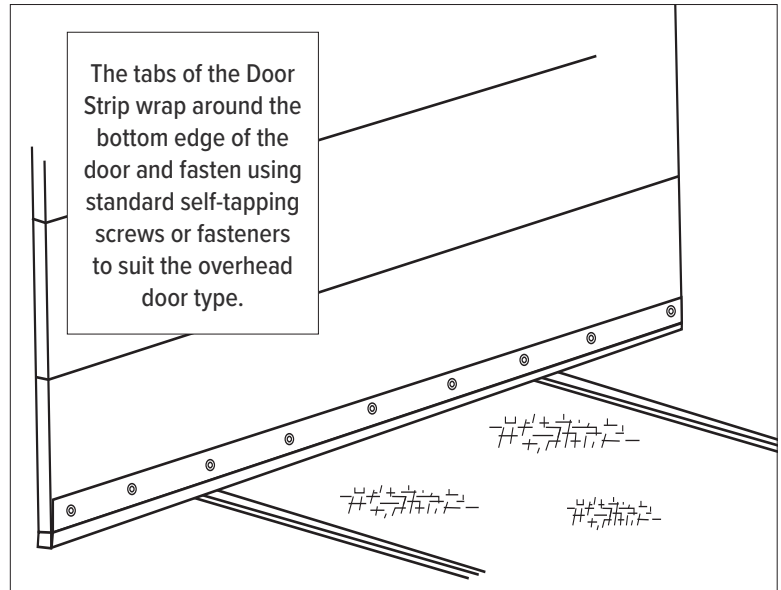
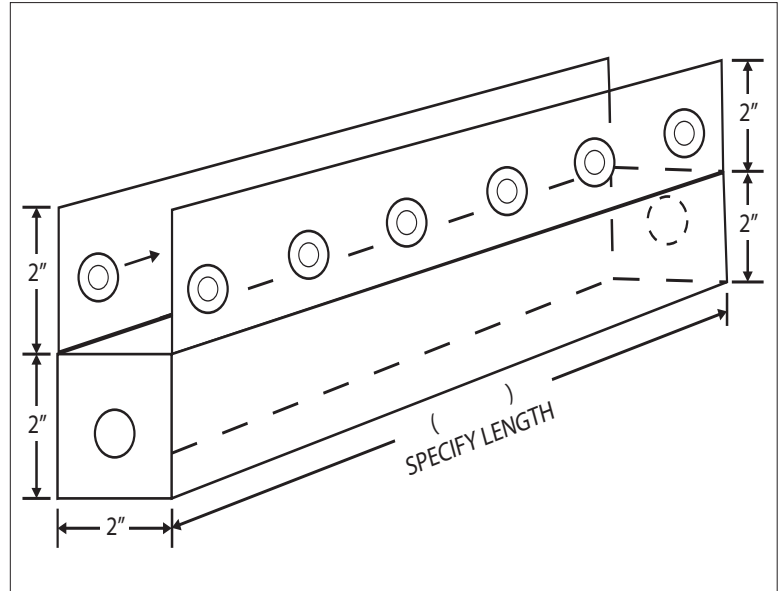
Door Strip Energy Saving Solutions

The Door Strip is designed to close off the gap between the overhead door, and the finished floor, giving you maximum protection against the outside elements. The specially engineered foam filled seal fills the gaps each time the door closes filling in the voided area where the door meets the uneven finished floor.

Each door strip is manufactured using Dynalon high performance fabric material surrounding a long half circle shaped foam core. This design allows the Door Strip to easily flatten and form itself to the gaps in the finished floor providing a tight seal. The Dynalon outer material provides an ultra-strong shell for the foam, making the Door Strip durable and long lasting.

The Door Strip is easy to install and does not require door modifications or a professional installer. The Door Strip is mounted in place by positioning the strip underneath the overhead door and wrapping the tabs around the bottom edge of the door. Fastening the tabs with standard self-tapping screws or fasteners to suit the overhead door type.

In just a few minutes you can remove the air gaps caused by uneven finished floors, reducing your heating or cooling costs and improving your building's protection from the outside elements.



W194N11481 McCormick Dr. | Germantown, WI 53022
alliedocksolutions.com | info@alliedocksolutions.com
800-643-5424



Designed, Engineered, and Manufactured in the U.S.A.
© 2024 Systems, LLC/Poweramp
Consistent with our policy of continuing product improvement, we reserve the right to change product specifications without notice or obligation.



alliedocksolutions.com