

# Flex LED Dock Light

## Lighting & Communication



### FEATURES

- Energy efficient - operates on 10W
- Uses 84% less energy than 150W models
- Provides light comparable to an incandescent 150W PAR38 lamp
- Long-life LEDs (rated 50,000 hours) deliver bright, uniform, instant-on light
- Easy installation mounting bracket compatible with most dock light mounting hardware
- Flexible arm offers great flexibility in positioning
- High-temperature polymer housing resists denting and wear
- Vented housing help maintain LED longevity
- With no filament to break, solid state lighting proves far more durable than incandescent sources
- Polycarbonate available for food applications at not extra charge
- Design and manufactured in the USA

# Phoenix Flex LED Docklite®

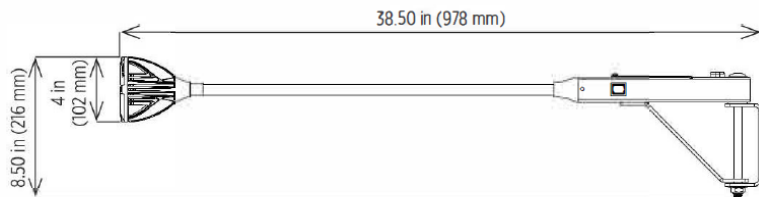
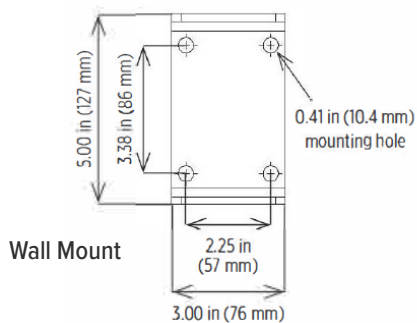
## Lighting & Communication



### SPECIFICATIONS

Construction	Thermally conductive plastic housing
Hardware	304 stainless steel
Arm	Flexible tubing
Lens	Impact resistant Clear polycarbonate
Light Source	Lumileds Luxeon light emitting diodes (LED) 10W, up to 1100 lumens CRI > 70 CCT 4000K 20' beam pattern 50,000 hour rated life
Power Source	100-277V (pigtail) or 120V only (with NEMA 5-15 plug) Bi-level dimming standard
Wiring	72.00 inch (1829 mm) cord with three-prong plug (NEMA 5-15) (standard on 120V only) 72.00 inch (1829 mm) cord with pigtail (100-277V option)
Ambient operating temperature	-40°C to +40°C
Mounting	3x5 inch zinc plated steel bracket
Weight	7.0 lb (3.2 kg)
Warranty	3 years

### DIMENSIONS



W194N11481 McCormick Dr. | Germantown, WI 53022  
 allieddocksolutions.com | info@allieddocksolutions.com  
 800-643-5424



Designed, Engineered, and Manufactured in the U.S.A.  
 © 2024 Systems, LLC/Poweramp  
 Consistent with our policy of continuing product improvement, we reserve the right to change product specifications without notice or obligation.



allieddocksolutions.com